

PRODUCT DATA SHEET

Ramén Ball Sector Valve type KSP/KSPF



RaménValves

We know the flow

DN 40-200 | Wafer | PN 40 | Titanium | Soft/Metal seat | PTFE stuffing box



The Ramén Ball Sector Valve KSP is a stainless-steel control valve with an optional braided PTFE stuffing box packing that offers increased tightness to atmosphere.

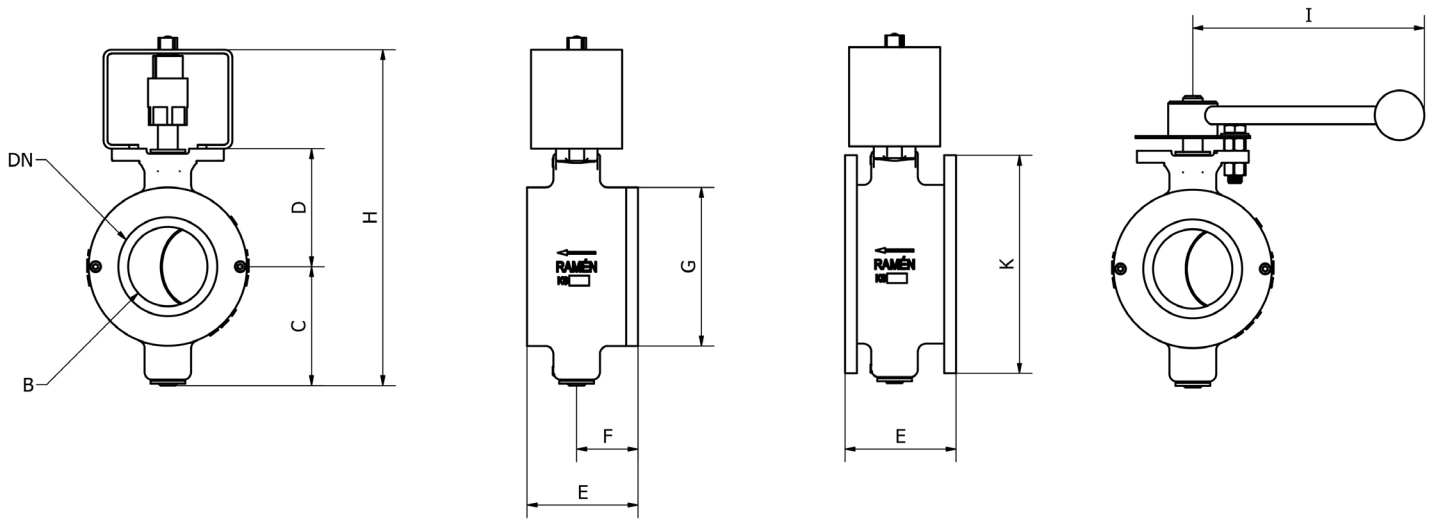
The Ramén KSP model offers a safe solution for processes in which elevated temperatures and/or corrosive and hazardous media put increased tightness requirements on the valve.

Typical applications

- Chemicals
- Steam
- Hydrocarbons
- Industrial gases
- Energy gases
- Industrial gases
- Hot oil

Technical information		
Design		Flangeless, wafer type
Nominal sizes		DN 40 - DN 200, 1 1/2"-8"
Material	Body Shafts Ball Sector Seat Seat holding ring O-rings Bearing	Titanium Titanium Titanium Soft seat: PTFE (Carbon/graphite reinforced) Titanium Viton® Rulon®
Nominal pressure	DN 40 - DN 50 DN 80 - DN 100 DN 150 - DN 200	PN 40 (for flange PN 10/40 and ANSI 150/300/600) PN 25 (for flange PN 10/25 and ANSI 150/300) PN 16 (for flange PN 10/16 and ANSI 150)
Operating temperature		-40° C - 170° C* -140° F - 338° F*
Seat leakage class according to EN60534-4		VI
Shell test according to EN12266-1		No leakage detectable
Characteristic		Equal percentage
Rangeability		Up to 300:1
Options	O-rings Seat Stuffing box	EPDM, Nitril, Kalrez®, Viton GLT, EPDM 90 PTFE, PEEK Graphite braid
Certificates and approvals		CE marked acc. to PED 2014/68/EU, Category II, Module D1 ATEX according to directive 2014/34/EU FDA approved elastomer (O-ring and seat) as an option

* With Kalrez® O-rings and NORGLIDE® MP shaft bearing



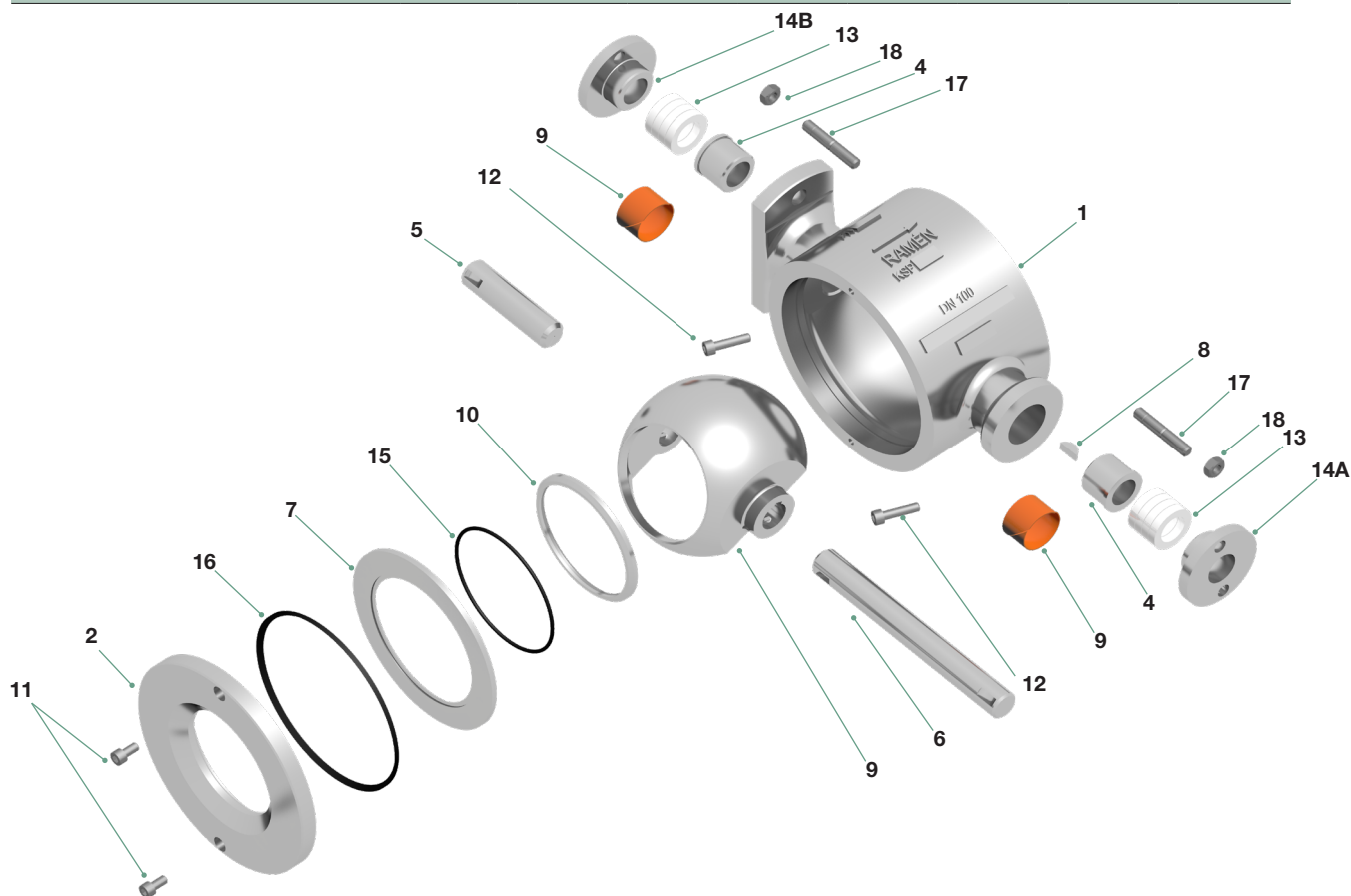
Dimensions						
DN	40	50	80	100	150	200
B Bore [mm]	25 / 32	40	64	80	120	150
C [mm]	95	95	107	118	167	188
D [mm]	95	95	107	118	167	188
E [mm]	71	71	95	112	170	210
F [mm]	38	38	55	62	95	120
G [mm]	94	94	140	160	220	274
H [mm]	250	250	315	337	454	503
I [mm]	160	160	290	290	370	370
Weight [kg]	4	4	8	12	25	38
Top mounting flange* EN-ISO 5211	D14/D17 F05/07	D14/D17 F05/F07	D17/D22 F05/F07	D17/D22 F10/F12	D22/D27 F10/F12	D22/D27 F10/F12

* D refers to diagonal square size & F refers to hole pattern.

Technical specifications						
DN	40	50	80	100	150	200
Kvs [m ³ /h]	34 / 64	94	255	390	810	1365
Cv [gpm]	40 / 75	110	300	460	950	1600
Actuator torque [Nm]	Recommended* Max.	30-90	30-90	80-200	160-400	160-400
		100	100	200	400	400
Rotation angle	30°-90° / 20°-90°	0°-90°	0°-90°	0°-90°	0°-90°	0°-90°

* The lower value of the torque range can be used for on-off applications for clean media at normal temperatures. The higher value of the torque range shall be used for pneumatic actuators with positioner when high control accuracy is needed or for dirty/sticky media.

Exploded view DN 40-200



Parts list DN 40-200

Part	QTY	Name	Material
1	1	Body	Titanium
2	1	Seat holding ring	Titanium
3	1	Ball sector	Titanium
4	2	Bearing sleeve	Titanium
5	1	Shaft (trunnion)	Titanium
6	1	Shaft	Titanium
7	1	Seat support ring	Titanium
8	2	Woodruff key	Titanium
9	2	Bearing	Rulon®
10	1	Seat ring	PTFE
11	2	Screw	Titanium
12	2	Grub screw	Titanium
13	2	Packing Ring	Braided PTFE
14A	2	Top Gland	Titanium
14B	2	Bottom Gland	Titanium
15	1	O-ring	Viton® (FKM)
16	1	O-ring	Viton® (FKM)
17	2	Bolt	Titanium
18	2	Nut	Titanium

Standard spare part kit

Part	Name
9	Shaft bearing
10	Seat ring
13	Packing ring
15, 16	O-rings

All materials acc. to standard configuration. Please contact your contact for order specific materials.

YOUR CONTACT FOR THE NETHERLANDS: Binder Engineering B.V

Cort van der Lindenstraat 25
2288 EV Rijswijk
Tel. 070-307.4300
sales@binder-engineering.nl
www.binder-engineering.nl